

Bullet Connectors



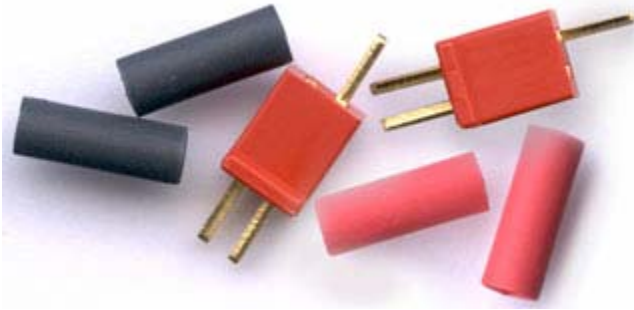
Power Pole Connectors



XH Connector



Micro Plug



EC3 Connectors



Anti-skid Deans Ultra T-Plug Connector



JST Connector



Traxxas Connector



Male and Female TRX Connector



Rohs XT60 Connector



XT60 Connector



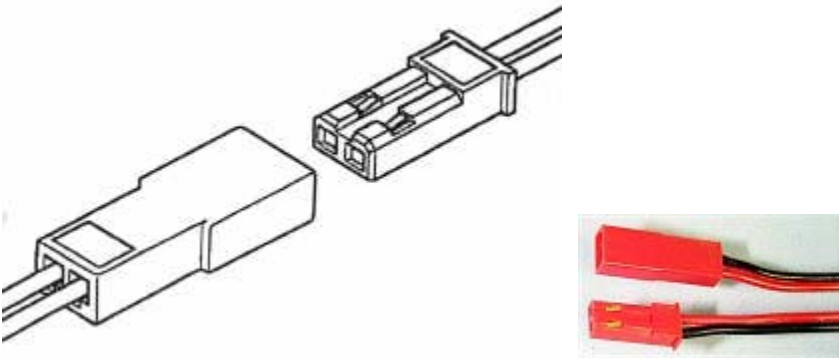
Futaba "F" Connector



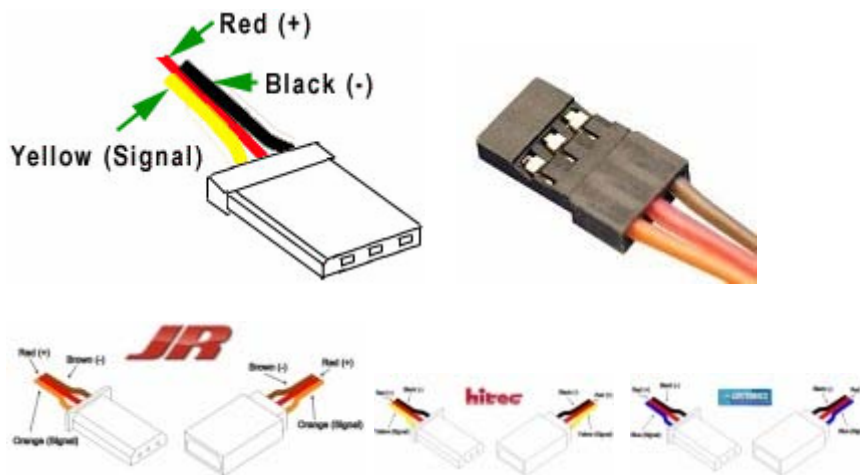
Tamiya Male Plug



JST RCY Connector (AKA BEC or P Connector)



Hitec “S” Servo Connector (aka “JR”. Airtronics “Z”, or Universal)

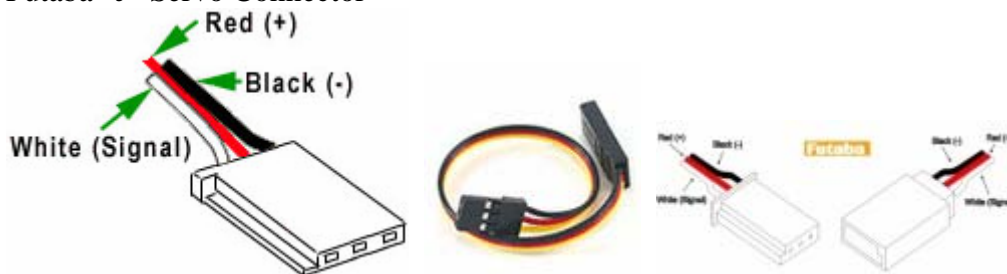


This connector works with any brand of receiver, servo controller or servo extension.

Note: This plug can be accidentally plugged into a receiver in reverse. If this happens, no damage will occur, the servo will simply will not work. If you receive a servo and it does not work, make sure that you have plugged it in correctly..

These servo connector is similar to the Futaba J, except that it does not have the polarizing tab, relying on the chamfers for polarization. A Futaba J [female](#) connector can be plugged into a JR male connector if the polarizing tab is removed with a knife. All these connectors are physically and electrically compatible.

Futaba “J” Servo Connector



This connector has a guide on the side of the plastic plug. This connector will not work with Hitec, JR or Airtronic Z or T servo extensions.